

Ivan Kulich

Topology of the space of all 2-dimensional Lie subalgebras of the Lie algebra $\mathfrak{gl}(2; \mathbf{R})$

Mathematica Slovaca, Vol. 35 (1985), No. 1, 3--7

Persistent URL: <http://dml.cz/dmlcz/129434>

Terms of use:

© Mathematical Institute of the Slovak Academy of Sciences, 1985

Institute of Mathematics of the Academy of Sciences of the Czech Republic provides access to digitized documents strictly for personal use. Each copy of any part of this document must contain these *Terms of use*.



This paper has been digitized, optimized for electronic delivery and stamped with digital signature within the project *DML-CZ: The Czech Digital Mathematics Library* <http://project.dml.cz>

TOPOLOGY OF THE SPACE OF ALL 2-DIMENSIONAL LIE SUBALGEBRAS OF THE LIE ALGEBRA $\mathfrak{gl}(2; \mathbf{R})$

IVAN KULICH

The aim of the present paper is to give a global topological characterization of the space \mathcal{A} of all 2-dimensional Lie subalgebras of the Lie algebra $\mathfrak{gl}(2; \mathbf{R})$ regarded as a topological subspace of the Grassmannian $G_2(\mathfrak{gl}(2; \mathbf{R}))$. We shall use the standard symbols $T^2 = S^1 \times S^1$ and RP^2 for a 2-dimensional torus and a real projective plane, respectively.

The following theorem will be proved:

Theorem. *Let $f: S^1 \rightarrow T^2$ and $g: S^1 \rightarrow RP^2$ be injective and continuous maps such that $f(S^1) = \{a\} \times S^1$ for some point $a \in S^1$ and $g(S^1)$ is contractible in RP^2 . Further let ω be an equivalence relation on the disjoint union $T^2 \cup RP^2$ defined by $x\omega y \Leftrightarrow x = y \vee (\exists z \in S^1: x = f(z) \wedge y = g(z))$. Then \mathcal{A} is homeomorphic to the factor space $T^2 \cup RP^2 / \omega$.*

Proof. As usually, $\mathfrak{gl}(2; \mathbf{R})$ is a Lie algebra of all real matrices of type 2×2 with the standard bracket operation $[U, V] = U \cdot V - V \cdot U$. The matrix

$$U = \begin{pmatrix} u^1 & u^2 \\ u^3 & u^4 \end{pmatrix}$$

will be written also as a row-vector (u^1, u^2, u^3, u^4) , a subspace $\langle U, V \rangle$ spanned by $U = (u^1, u^2, u^3, u^4)$ and $V = (v^1, v^2, v^3, v^4)$ will be denoted by

$$\begin{pmatrix} u^1 & u^2 & u^3 & u^4 \\ v^1 & v^2 & v^3 & v^4 \end{pmatrix}.$$

For linearly independent vectors $U, V \in \mathfrak{gl}(2; \mathbf{R})$ let us consider the subspace $A = \langle U, V \rangle$. There holds

$$[U, V] = (D_{23}, D_{12} + D_{24}, -D_{13} - D_{34}, -D_{23})$$

where

$$D_{ij} = \det \begin{pmatrix} u^i & u^j \\ v^i & v^j \end{pmatrix}.$$

Therefore $A \in \mathcal{A}$ if and only if there exists a solution (a, b) of

$$\begin{aligned} au^1 + bv^1 &= D_{23} \\ au^2 + bv^2 &= D_{12} + D_{24} \\ au^3 + bv^3 &= -D_{13} - D_{34} \\ au^4 + bv^4 &= -D_{23}. \end{aligned} \quad (1)$$

There is a decomposition $\mathcal{A} = \mathcal{A}_T \cup \mathcal{A}_N$, where $\mathcal{A}_T(\mathcal{A}_N)$ denotes the space of algebras of \mathcal{A} with a trivial (a nontrivial) bracket. An easy calculation gives

$$\mathcal{A}_T = \left\{ \begin{pmatrix} \alpha & \beta & \gamma & 0 \\ 1 & 0 & 0 & 1 \end{pmatrix}; (\alpha, \beta, \gamma) \in \mathbb{R}P^2 \right\},$$

hence $\mathcal{A}_T \approx \mathbb{R}P^2$.

Let now $\langle U, V \rangle \in \mathcal{A}_N$, i. e. (1) has a nontrivial solution. Then, regarding the nullity of the numbers D_{ij} , the investigation of (1) falls into the following five cases:

1. $D_{23} \neq 0$
2. $D_{23} = D_{14} = 0, D_{12} \neq 0$
3. $D_{23} = D_{14} = D_{12} = 0, D_{34} \neq 0$
4. $D_{23} = D_{14} = D_{12} = D_{34} = 0, D_{13} \neq 0$
5. $D_{23} = D_{14} = D_{12} = D_{34} = D_{13} = 0, D_{24} \neq 0$.

Corresponding to these cases we obtain five systems of subalgebras

$$\mathcal{S}_1 = \left\{ \begin{pmatrix} u^1 & 1 & 0 & u^4 \\ u^4 & 0 & (u^4 - u^1)^2 & u^1 \end{pmatrix}; u^4 \neq u^1 \right\}$$

$$\mathcal{S}_2 = \left\{ \begin{pmatrix} 1 & 0 & 0 & u^4 \\ 0 & 1 & 0 & 0 \end{pmatrix}; u^4 \neq 1 \right\}$$

$$\mathcal{S}_3 = \left\{ \begin{pmatrix} 0 & 0 & 1 & 0 \\ v^1 & 0 & 0 & 1 \end{pmatrix}; v^1 \neq 1 \right\}$$

$$\mathcal{S}_4 = \left\{ \begin{pmatrix} 1 & 0 & 0 & 0 \\ 0 & 0 & 1 & 0 \end{pmatrix} \right\}$$

$$\mathcal{S}_5 = \left\{ \begin{pmatrix} 0 & 1 & 0 & 0 \\ 0 & 0 & 0 & 1 \end{pmatrix} \right\}.$$

Here each of the sets $\mathcal{S}_1, \mathcal{S}_2$ and \mathcal{S}_3 is described in some parametrization-form and the system $\{\mathcal{S}_1, \dots, \mathcal{S}_5\}$ is a disjoint decomposition of \mathcal{A}_N . The sets $\mathcal{S}_1, \mathcal{S}_2$ and \mathcal{S}_3 will be re-parametrized by the substitutions

1. $u^1 = \alpha\beta, u^4 = \beta(\alpha - 1), \beta \neq 0$

2. $u^4 = \frac{\alpha}{\alpha - 1}, \alpha \neq 1$

$$3. v^1 = \frac{\alpha}{\alpha - 1}, \quad \alpha \neq 1$$

respectively into a new form

$$\begin{aligned} \mathcal{S}_1 &= \{M_1(\alpha, \beta); \beta \neq 0\} \\ \mathcal{S}_i &= \{M_i(\alpha); \alpha \neq 1\} \quad \text{for } i=2, 3, \end{aligned}$$

where

$$\begin{aligned} M_1(\alpha, \beta) &= \begin{pmatrix} \alpha\beta & 1 & 0 & (\alpha-1)\beta \\ \alpha-1 & 0 & \beta & \alpha \end{pmatrix} \\ M_2(\alpha) &= \begin{pmatrix} \alpha-1 & 0 & 0 & \alpha \\ 0 & 1 & 0 & 0 \end{pmatrix} \quad \text{and} \\ M_3(\alpha) &= \begin{pmatrix} 0 & 0 & 1 & 0 \\ \alpha & 0 & 0 & \alpha-1 \end{pmatrix}. \end{aligned}$$

In this notation \mathcal{S}_2 , \mathcal{S}_3 and \mathcal{S}_4 can be regarded as subsets of “extended \mathcal{S}_1 ” ($= \mathcal{A}_N^2$) or “extended \mathcal{S}_3 ” ($= \mathcal{A}_N^1$) as follows

$$\begin{aligned} \mathcal{S}_2 &= \{M_1(\alpha, \beta); \beta = 0, \alpha \neq 1\} \\ \mathcal{S}_3 &= \{M_1(\alpha, \beta); \beta = 0, \alpha = 1\} \\ \mathcal{S}_4 &= \{M_3(\alpha); \alpha = 1\} \end{aligned}$$

where

$$\begin{aligned} \mathcal{A}_N^2 &= \{M_1(\alpha, \beta); \alpha, \beta \in \mathbf{R}\} \\ \mathcal{A}_N^1 &= \{M_3(\alpha); \alpha \in \mathbf{R}\}. \end{aligned}$$

Thus, we have obtained the most convenient parametrization of \mathcal{A}_N for our requirements.

The following analysis of \mathcal{A} makes use of the Plücker coordinates (see, e. g., [1]) $\pi: G_2(\mathfrak{gl}(2; \mathbf{R})) \rightarrow Q_{3,3} \subset RP^5$,

$$\pi(\langle U, V \rangle) = (D_{12}, D_{13}, D_{14}, D_{34}, D_{42}, D_{23}).$$

There holds that

$$\begin{aligned} \pi(\mathcal{A}_N^2) &= \{(1 - \alpha, \alpha\beta^2, \beta(2\alpha - 1), -\beta^2(\alpha - 1), -\alpha, \beta); \alpha, \beta \in \mathbf{R}\} \\ \pi(\mathcal{A}_N^1) &= \{(0, \alpha, 0, 1 - \alpha, 0, 0); \alpha \in \mathbf{R}\}. \end{aligned}$$

Now the CW-complex of the closure of $\pi(\mathcal{A}_N)$ in $Q_{3,3}$ will be described by the use of the functions $\alpha = \operatorname{tg} \varphi$, $\beta = \operatorname{tg} \psi$. Let us denote $I = \left\langle -\frac{\pi}{2}, \frac{\pi}{2} \right\rangle$. In the CW-complex there is one 2-cell e_1 , two 1-cells e_2, e_3 and one 0-cell e_4 :

$$\begin{aligned}
e_1 &= \pi(\mathcal{A}_N^2) \\
e_2 &= \pi(\mathcal{A}_N^1) \\
e_3 &= \{(-1, \beta^2, 2\beta, -\beta^2, -1, 0); \beta \in \mathbf{R}\} \\
e_4 &= \{(0, -1, 0, 1, 0, 0)\}.
\end{aligned}$$

The characteristic maps are

$$\Phi_1: I \times I \rightarrow \overline{\pi(\mathcal{A}_N)}$$

$$\Phi_2, \Phi_3: I \rightarrow \overline{\pi(\mathcal{A}_N)}$$

$$\begin{aligned}
\Phi_1(\varphi, \psi) &= (\cos^2 \psi (\cos \varphi - \sin \varphi), \sin \varphi \sin^2 \psi, \sin \psi \cos \psi (2 \sin \varphi - \cos \varphi), \\
&\quad -\sin^2 \psi (\sin \varphi - \cos \varphi), -\sin \varphi \cos^2 \psi, \cos \varphi \sin \psi \cos \psi) \\
\Phi_2(\varphi) &= (0, \sin \varphi, 0, \cos \varphi - \sin \varphi, 0, 0) \\
\Phi_3(\psi) &= (-\cos^2 \psi, \sin^2 \psi, \sin 2\psi, -\sin^2 \psi, -\cos^2 \psi, 0).
\end{aligned}$$

From the above CW-complex there immediately follows that $\overline{\pi(\mathcal{A}_N)}$ is homeomorphic to the square $I \times I$ on the boundary of which there is a gluing map described by

$$\begin{aligned}
\Phi_1\left(\varphi, \pm \frac{\pi}{2}\right) &= \Phi_2(\varphi) \\
\Phi_1\left(\pm \frac{\pi}{2}, \psi\right) &= \Phi_3(\psi) \\
\Phi_2\left(\pm \frac{\pi}{2}\right) &= \Phi_3\left(\pm \frac{\pi}{2}\right) = e_4.
\end{aligned}$$

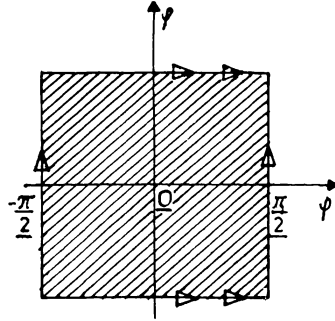


Fig. 1

Thus $\overline{\mathcal{A}_N} \approx \overline{\pi(\mathcal{A}_N)} \approx T^2$. Finally, $e_3 \cup e_4$ is a π -image of

$$\left\{ \begin{pmatrix} 2\beta & 1 & -\beta & 0 \\ 1 & 0 & 0 & 1 \end{pmatrix}; \beta \in \mathbf{R} \right\} \cup \left\{ \begin{pmatrix} 0 & 0 & 1 & 0 \\ 1 & 0 & 0 & 1 \end{pmatrix} \right\},$$

which is a circle, contractible in \mathcal{A}_T .

REFERENCES

- [1] Van der WAERDEN, B. L.: Einführung in die algebraische Geometrie. Springer, Berlin 1939.
Received February 18, 1981

*Katedra geometrie
Matematicko-fyzikálnej fakulty Univerzity Komenského
Pavilón matematiky
Mlynská dolina
842 15 Bratislava*

ТОПОЛОГИЯ ПРОСТРАНСТВА ВСЕХ ДВУХМЕРНЫХ ПОДАЛГЕБР ЛИ АЛГЕБРЫ ЛИ $\mathfrak{gl}(2; \mathbf{R})$

Ivan Kulich

Резюме

В статье дана глобальная топологическая характеристика пространства \mathcal{A} всех двухмерных подалгебр Ли алгебры Ли $\mathfrak{gl}(2; \mathbf{R})$, рассматриваемого как подпространство многообразия Грассманна $G_2(\mathfrak{gl}(2; \mathbf{R}))$. Обозначим через $T^2 = S^1 \times S^1$ и RP^2 , соответственно, двухмерный тор и вещественную проективную плоскость. Доказывается следующая теорема: Пусть $f: S^1 \rightarrow T^2$ и $g: S^1 \rightarrow RP^2$ — инъективные и непрерывные отображения, такие, что $f(S^1) = \{a\} \times S^1$ для какой-нибудь точки $a \in S^1$ и $g(S^1)$ стягиваемо в RP^2 . Пусть дальше ω — отношение эквивалентности на дизъюнктом объединении $T^2 \cup RP^2$, определенное как

$$x\omega y \Leftrightarrow x = y \vee (\exists z \in S^1: x = f(z) \wedge y = g(z)).$$

Тогда \mathcal{A} гомеоморфно фактор-пространству $(T^2 \cup RP^2)/\omega$.